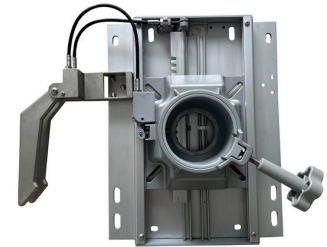
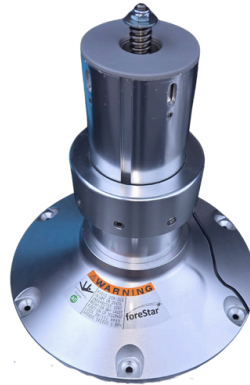




Electric adjustable Pedestals

Electric adjustable height pedestal system uses a 2-7/8" or 3.4" post, 9" or 12" bases, designed for electric up / down.



Feature choices

Swivel Slide

Locking & non-locking swivels, & slide/ swivels. Use machined bushings for reduced wobble. Slides provide 5" of smooth travel using center rail design.

Post

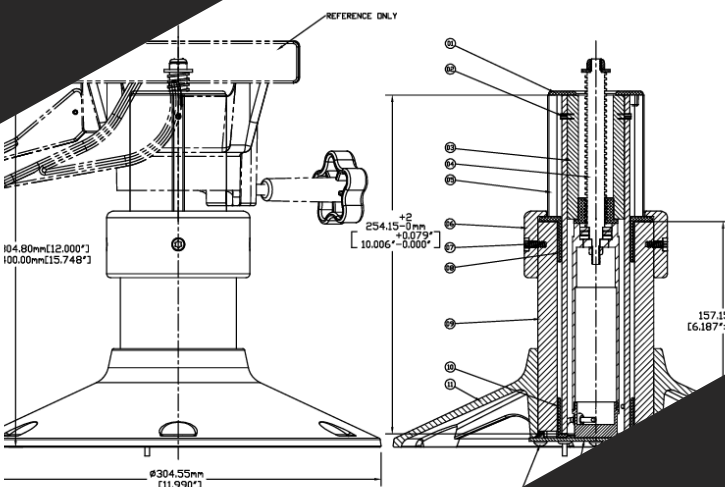
Options mimic gas rise Heavy Duty and Off-shore sizes. Rated to 675 lbs. Continuous use at 300 lbs.+, H31 tested. Uses a stop limiter. No wobble.

Base

Offered in both thru-deck and above-deck options depending of hieght and travel required. Available in 9" and 12" bases.

Options

Power required is 12V/24V, 5A for the reverse polarity actuator. Uses a double throw momentary switch (not included).



Why Choose Us?

Our goal is to provide a premium product that solves common complaints of boaters. Strong, Stable, Smooth, Quiet, Convenient, this is how we:

DELIVER THE EXPERIENCE YOUR BRAND DESERVES.

- ✔ Rated to 675 lbs.
- ✔ Location freedom for switch.
- ✔ Wobble free with stop limiter.
- ✔ Responsive Service

Contact Us



731 Jefferson Ave.
Conway, MO 65632



www.forestarindustries.com



sales@forestarindustries.com