

foreStar Industries

foreStar Industries, located in Conway, Missouri, provides specialized seating hardware components and equipment for boats. With industry experience of over 25 years, we provide the best products on the market-backed by our industry leading lifetime warranty.



Helping deliver the boating experience your brand deserves.

www.forestarindustries.com

foreStar

Focusing primarily in aluminum and stainless steel, foreStar provides inventive solutions that meet all applicable NMMA and ABYC standards for the OEM boatbuilder that demands the best in quality and service.

Contact us to inquiry about how we can assist with your next project:

Customer Service Phone #
417-322-1918

Customer Service Email
sales@forestarindustries.com



POSI-PIN

REMOVABLE PEDESTAL SYSTEM

Providing maximum flexibility and stability.



Helping deliver the boating experience your brand deserves.

www.forestarindustries.com

Posi-Pin is a 3/4" pin, removable pedestal system that utilizes an exclusive thread design to maximize performance and stability.

- 3/4" pin threads through base to provide secure attachment while allowing post to swivel freely without unscrewing
- Thread design eliminates any weight transfer to attachment threads, eliminating damage, binding or possibility of corrosion resulting in an irremovable post.
- Post is easily removed by engaging threads and turning counter clockwise 2-3 rotations- post cannot be overtightened
- Bases available in standard 7"x7", 4"x8" & 6"x8" in E-coated and stainless material
- Bushings available in black nylon and true machined brass (not powdered brass)
- Posts available in multiple fixed heights and adjustable varieties using anodized aluminum, bright dipped anodized aluminum or stainless steel tubing
- Custom bases and posts available upon request



POSI-POST REMOVABLE PEDESTAL SYSTEM

Providing maximum flexibility and stability.



foreStar

- 9" diameter base with unique machined bushing for reduced movement and increased stability
- Anodized base and post components for maximum corrosion protection
- Keyed 2 3/8" post eliminates rotational movement while allowing easy installation/removal-standard size allows multiple seat mount options
- Custom configurations available.
- Popular configurations listed below:
 - **380015-1** = 9" anodized base
 - **380015** = pedestal kit w/ 9" base, non locking swivel, 15" post
 - **380115-L** = pedestal kit w/9" base, locking slide/swivel, 15" post
 - **380715HL** = 9" base, 15" post, Hi-Lo 7"x7" seat swivel
 - **380901** = power rise pedestal, 14" to 20" height adj.
 - **380902** = power rise pedestal, 22" to 28" height adj.

Helping deliver the boating experience your brand deserves.

www.forestarindustries.com

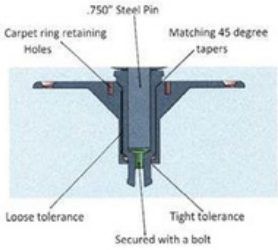


SCAN ME

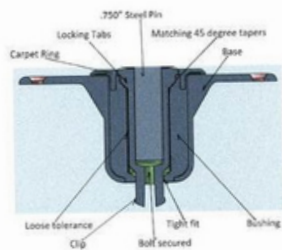
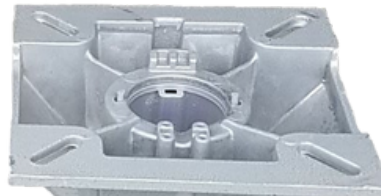
POSI-PRO REMOVABLE SYSTEM

Providing maximum flexibility and stability.

FS175 Type B series



FS238 Type "AP" series



Helping deliver the boating experience your brand deserves.

www.forestarindustries.com

foreStar

Posi-Pro is a revolutionary removable pedestal system that is a complete departure from any other system on the market

- Available as a non-locking ABYC rated "B" or a locking ABYC rated "AP"
- 2 point contact design to provide positive wobble control while allowing effortless post installation and removal
- Designed with no metal to metal contact to eliminate any rattle or corrosion issues
- Clip design prevents unintentional detachment without requiring bulky or clumsy locking mechanisms to manipulate
- Provides a solid, secure and centered fit and feel
- Bases available in a variety of shapes, sizes and finishes in either stainless steel or e-coated mild steel material
- Posts available in a variety of lengths and gas rise functions in either stainless steel or anodized aluminum



FIXED HEIGHT PEDESTAL SYSTEM

Providing maximum flexibility and stability.



Helping deliver the boating experience your brand deserves.

www.forestarindustries.com

foreStar

- Meets all applicable ABYC H-31 requirements
- Utilizes smooth thick-wall 2-7/8" anodized aluminum tube for maximum strength and corrosion resistance
- Pedestals available in various heights and base styles including low profile 9", standard 9" and 12"
- Available in a variety of finishes- clear anodized, bright dip anodized or black hard-coat anodized
- Seat mounts available in multiple configurations including locking & non-locking swivels, as well as locking and non-locking slide/ swivels
- All swivel and slide/ swivel mounts include machined bushings for wobble free operation
- Slide/ swivel units provide 5" of smooth fore and aft travel using exclusive center rail design
- Positive stop versions available to limit rotational movement to eliminate potential contact between seat and engine controls also available



SCAN ME



POWER RISE ADJUSTABLE PEDESTALS

Providing maximum flexibility and stability.



Helping deliver the boating experience your brand deserves.

www.forestarindustries.com

- Ergonomically designed handles for easy operation
- Machined bushings and keyed slides to eliminate rotational movement
- Additional inner post supports to eliminate motion on select units
- Available in a variety of finishes—clear anodized, bright dip anodized or black hard-coat anodized
- Custom configurations available.

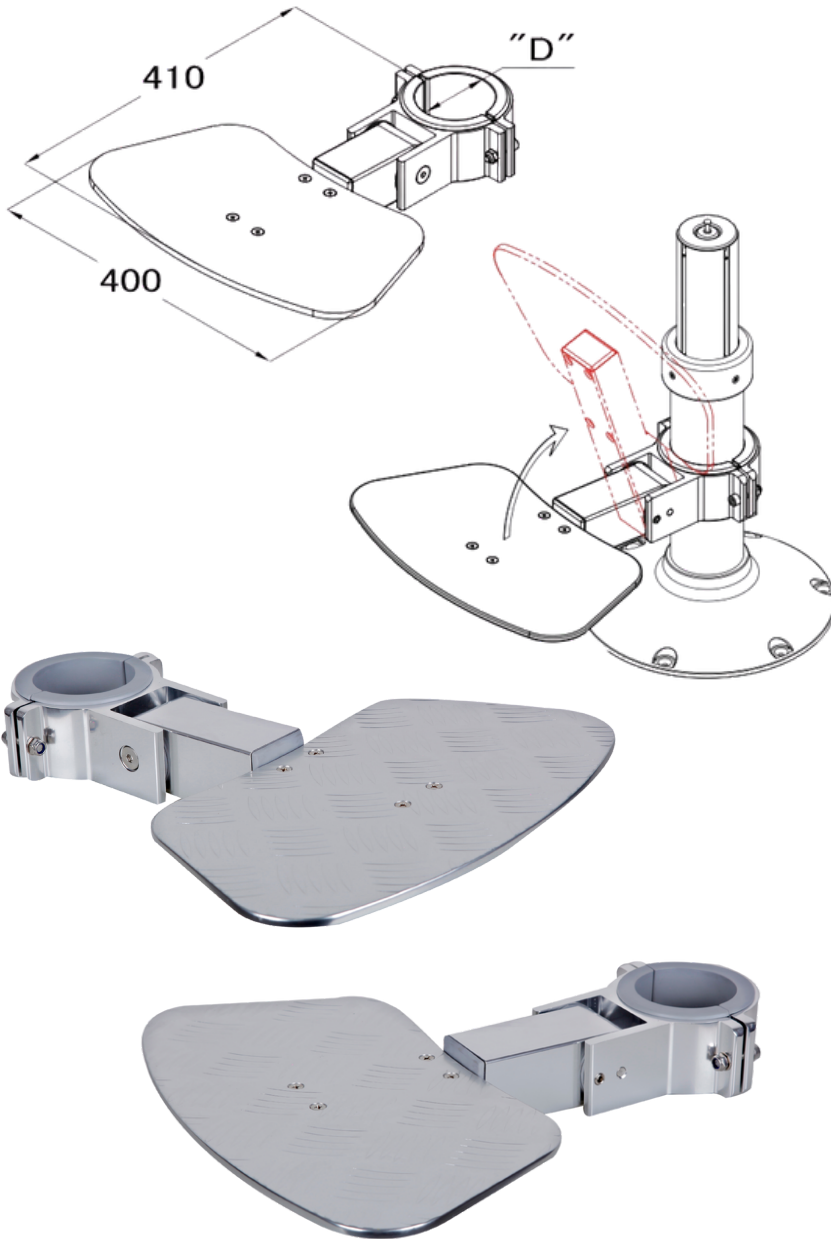
- Popular configurations listed below:
 - **184401-LA** = 2-3/8", 9" base, 12"-16", locking slide/swivel, clear anodized
 - **184410-LA** = 2-3/8", 9" base, 10"-12.5", locking slide/swivel, clear anodized
 - **185410-LAWOM** = 2-7/8", 9" base, 10"-12", locking slide/swivel, clear anodized
 - **185501-LAWOM** = 2-7/8", 9" base, 12"-16", locking slide/swivel, clear anodized
 - **186501-LAWOM** = 2-7/8", 12" base, 12"-16", locking slide/swivel, clear anodized





FOLDABLE ALUMINUM FOOTREST

Providing maximum flexibility and stability.



- Hand polished and bright dipped anodized aluminum construction for maximum corrosion resistance and stunning appearance
- Foldable operation to provide either comfort or space, extremely versatile
- Multiple insert bushings allows same design to be used on variety of common sized posts
- Aluminum construction provides great strength in a lightweight design that is easy to install

- **188573-AL** = foldable footrest for 2 7/8" post
- **188587-AL** = foldable footrest for 3 1/2" post

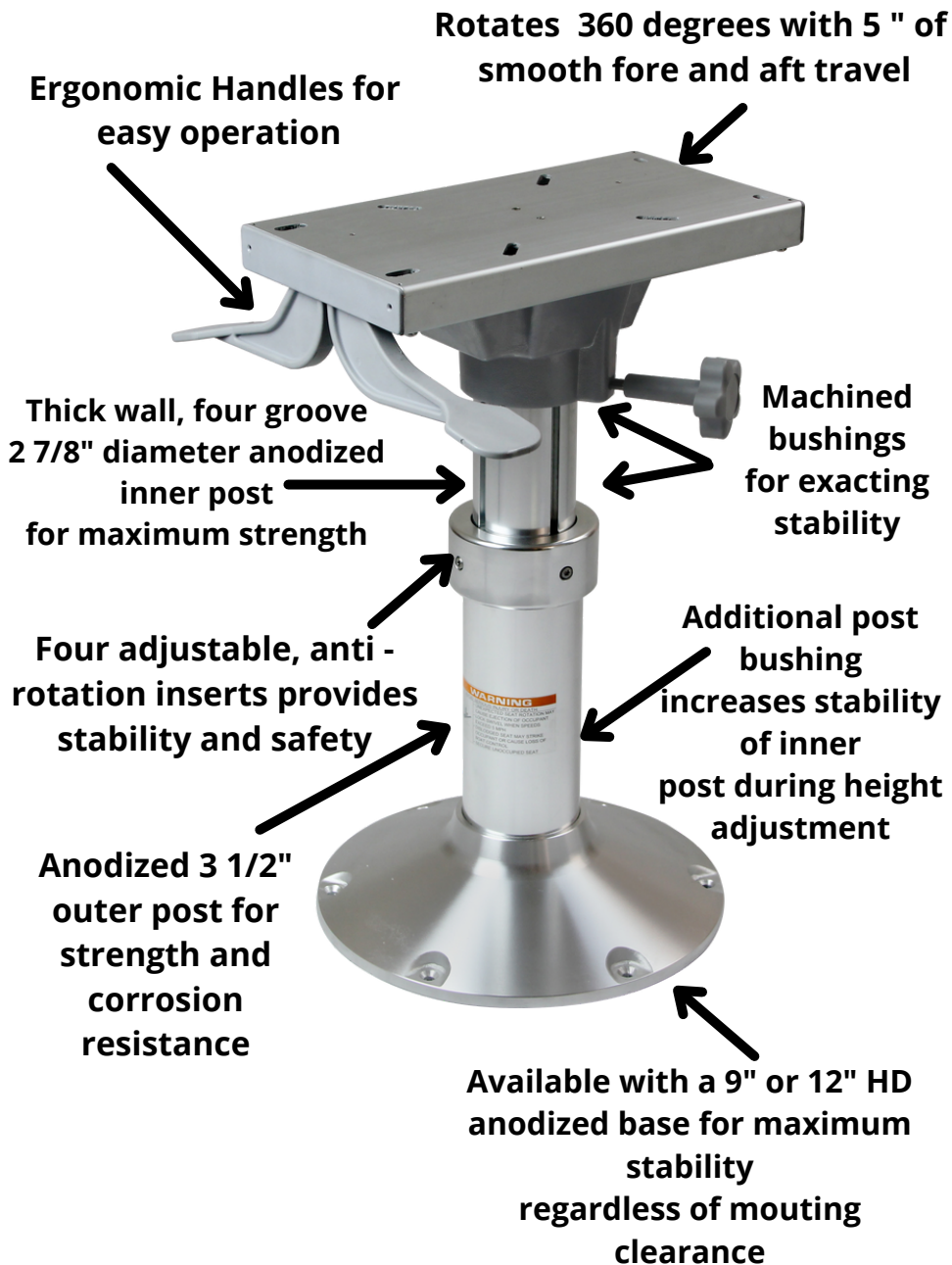
Helping deliver the boating experience your brand deserves.

www.forestarindustries.com



POWER RISE- ADJUSTABLE PEDESTALS

Providing maximum flexibility and stability.



Helping deliver the boating experience your brand deserves.

www.forestarindustries.com

foreStar

- Ergonomically designed handles for easy operation
- Machined bushings and keyed slides to eliminate rotational movement
- Additional inner post supports to eliminate motion during height adjustment
- Available in a variety of finishes- clear anodized, bright dip anodized or black hard-coat anodized
- Custom configurations available.
- Popular configurations listed below:
 - **185410-LAWOM** = 2-7/8", 9" base, 10"-12", locking slide/swivel, clear anodized
 - **185501-LAWOM** = 2-7/8", 9" base, 12"-16", locking slide/swivel, clear anodized
 - **186501-LAWOM** = 2-7/8", 12" base, 12"-16", locking slide/swivel, clear anodized



SCAN ME

REMOVABLE TABLE SYSTEMS

Providing maximum flexibility and stability.



Helping deliver the boating experience your brand deserves.

www.forestarindustries.com

foreStar

- All systems provide effortless take down of the table system for storage
- Posts are standard height of 27" (685mm)-custom lengths available upon request
- Available in a variety of finishes- clear anodized, bright dip anodized or black hard-coat anodized for maximum corrosion resistance
- Thru-deck and above deck base options to fit every budget and build requirements
- Manual and gas adjustable posts available

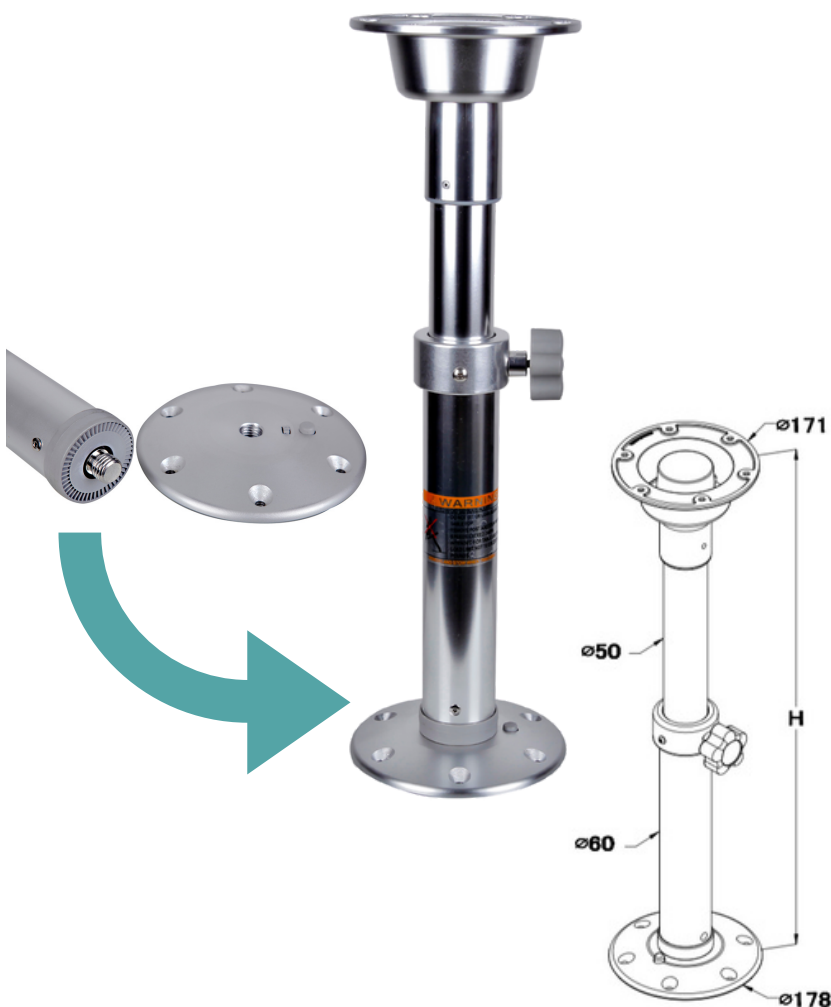


SCAN ME



ADJUSTABLE & REMOVABLE TABLE SYSTEM

Providing maximum flexibility and stability.



System combines the security/ stability of a positive locking system with effortless take down for storage-all while allowing the end user to easily adjust from lounge height to standard table height.

- Post is infinitely adjustable from a height of 27" down to 19 3/4" using a non-marring tension knob
- Unique bushing design allows effortless height adjustments
- Available in a variety of finishes- clear anodized, bright dip anodized or black hard-coat anodized for maximum corrosion resistance
- Above deck base is attractive and unobtrusive while table unit is stowed

Helping deliver the boating experience your brand deserves.

www.forestarindustries.com



GAS RISE THREE STAGE TABLE PEDESTAL

Providing maximum flexibility and stability.



Helping deliver the boating experience your brand deserves.

www.forestarindustries.com

foreStar

- Height adjustment easily controlled by cable activation handle or simple manual adjustment
- Gas rise for easy height selection and smooth operation
- Gas cylinders will raise 50lbs unassisted with a weight capacity \leq 200lbs with clamps engaged (180lbs with no more than 2" of compression without clamps engaged)
- Locking handles to eliminate movement in full upright extension
- Height adjustable from 13" (330mm) to 27.5" (700mm). Optimum range for converting from bunk height to table height
- Full 12" (305mm) base for maximum stability during operation
- Hand polished and bright dipped anodized aluminum construction for maximum corrosion resistance and stunning appearance
- **186603-MA** = manual adjustable 3 stage table pedestal
- **186603-A** = cable actuated 3 stage table pedestal

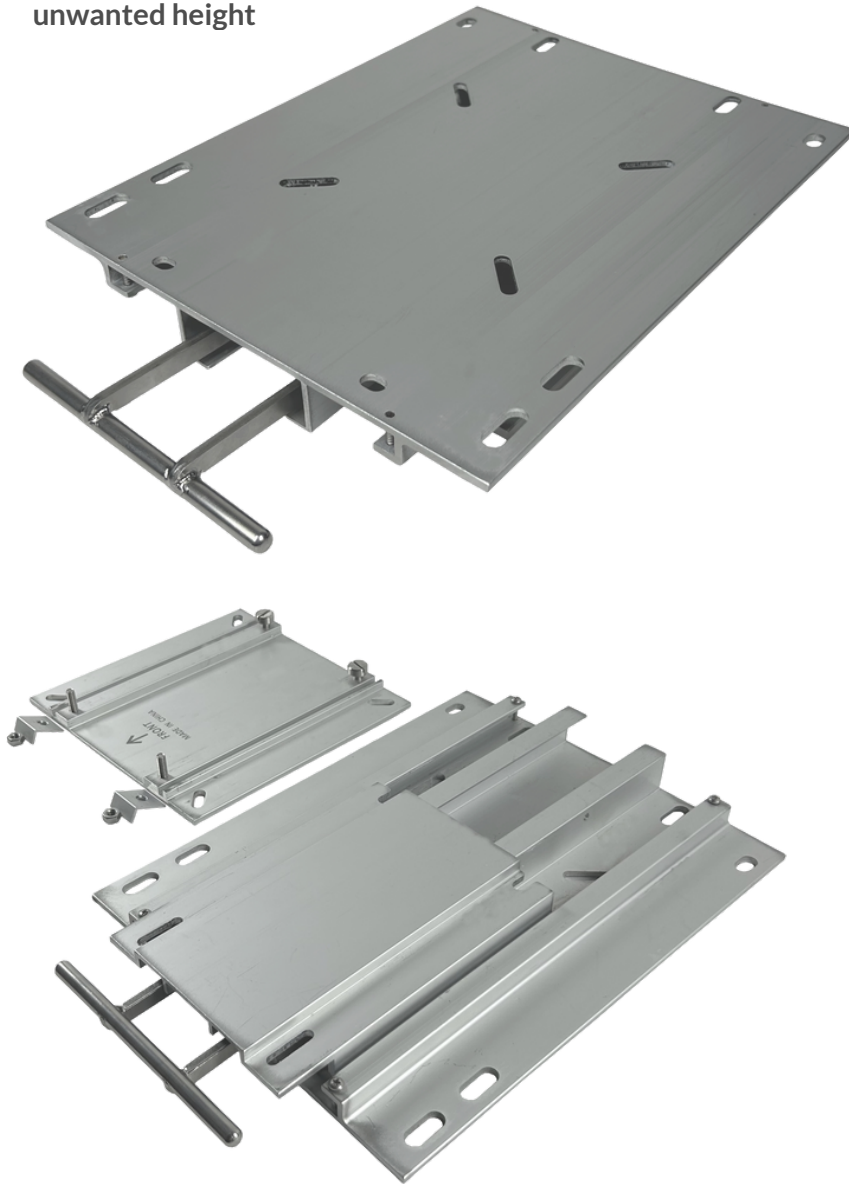


SCAN ME



LOW PROFILE SLIDE

Designed to add easy slide adjustments to a box mounted application without adding unwanted height



- Two piece design allows for easy installation without the use of any specialized tools.
- Anodized aluminum construction for increased strength and corrosion resistance.
- Towel bar locking lever allows easy operation and access to over 6" of fore and aft seat adjustment.
- Unique design adds only 1.5" of height when installed

Helping deliver the boating experience your brand deserves.

www.forestarindustries.com



HEAVY DUTY PEDESTAL SYSTEMS

Large diameter post, base and slide provides increased stability for demanding applications



Helping deliver the boating experience your brand deserves.

www.forestarindustries.com

foreStar

Building upon our popular 2 7/8" pedestals systems, foreStar has added additional base, post and slide support to create the ultimate heavy duty pedestal system.

Features include:

- Fixed height pedestals have a 3.4" heavy walled, anodized post for superior strength
- Adjustable pedestals have a 4" outer post, with a 3.4" inner post for stability and adjustability
- Slide decks have been widened to provide additional support to mount large chairs
- Various heights, adjustability and slide/swivel options available



SCAN ME

BLACK FINISH HARDWARE PRODUCTS

A unique and different finish to complement blacked out boat designs



Helping deliver the boating experience your brand deserves.

www.forestarindustries.com

foreStar

Starting with all of our most popular hardware items, foreStar now provides a different look from the traditional clear anodized finish:

- Bases are e-coated and then powder coated for a durable finish that hides scuffing and usage marks to keep hardware looking like new in any environment
- Posts are hard coat anodized for that deep black look that is impervious to UV rays
- Corresponding components-including swivels and handles receive the blacked out treatment to complete the overall look
- Various heights, adjustability and slide/swivel options available



SCAN ME

