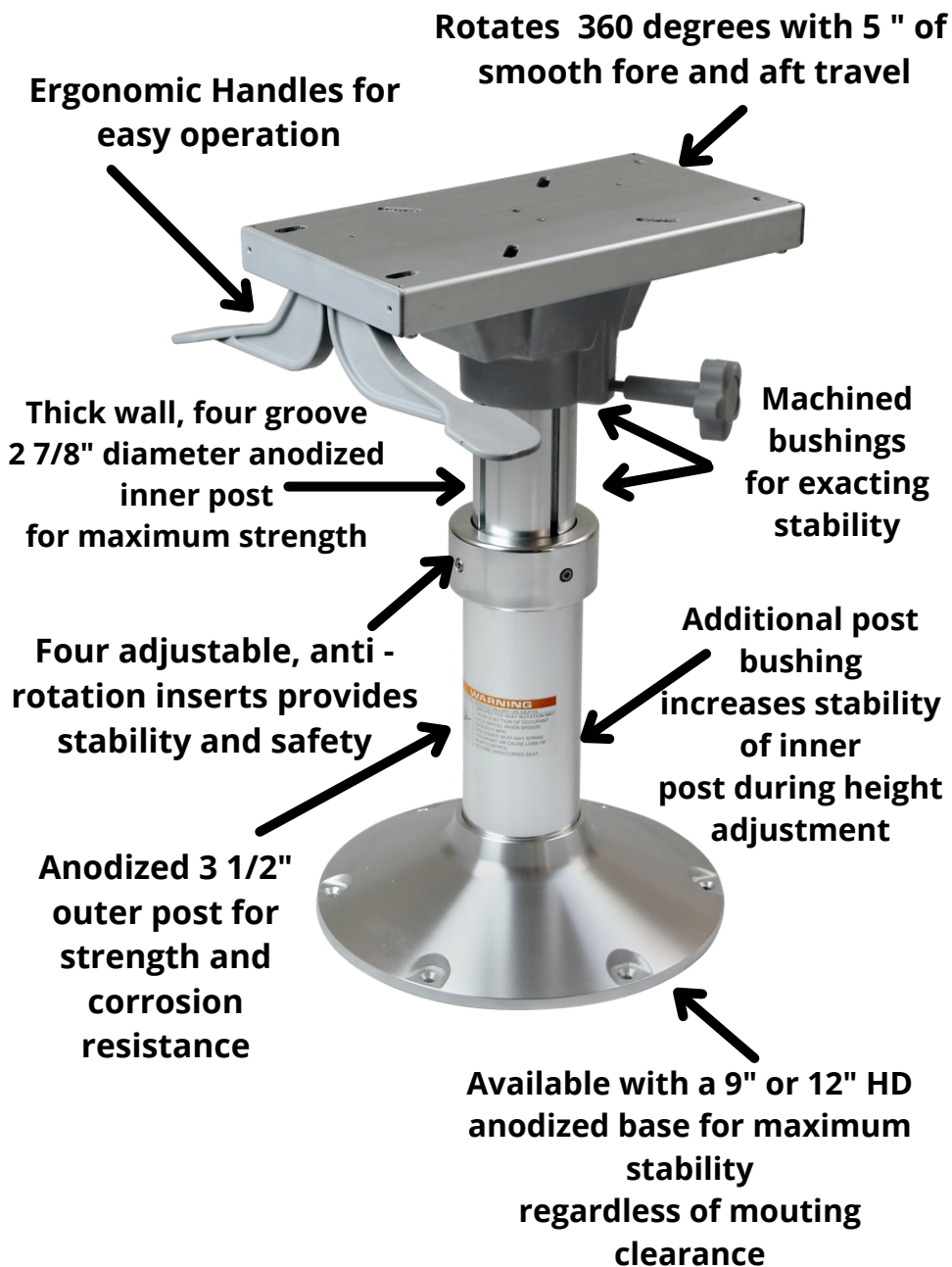


POWER RISE- ADJUSTABLE PEDESTALS

Providing maximum flexibility and stability.



Helping deliver the boating experience your brand deserves.

www.forestarindustries.com

foreStar

- Ergonomically designed handles for easy operation
- Machined bushings and keyed slides to eliminate rotational movement
- Additional inner post supports to eliminate motion during height adjustment
- Available in a variety of finishes- clear anodized, bright dip anodized or black hard-coat anodized
- Custom configurations available.
- Popular configurations listed below:
 - **185410-LAWOM** = 2-7/8", 9" base, 10"-12", locking slide/swivel, clear anodized
 - **185501-LAWOM** = 2-7/8", 9" base, 12"-16", locking slide/swivel, clear anodized
 - **186501-LAWOM** = 2-7/8", 12" base, 12"-16", locking slide/swivel, clear anodized



SCAN ME